

WB-901225 HANDLE

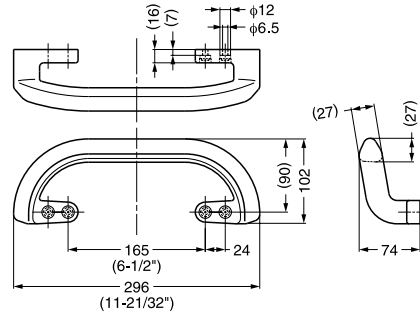
Moulded in polyurethane around steel core

Material: Polyurethane, Steel

Color: Black



Screws not included.



Item No.	Weight (g)	Box (pcs)
WB-901225	400	20

WB-901228 HANDLE

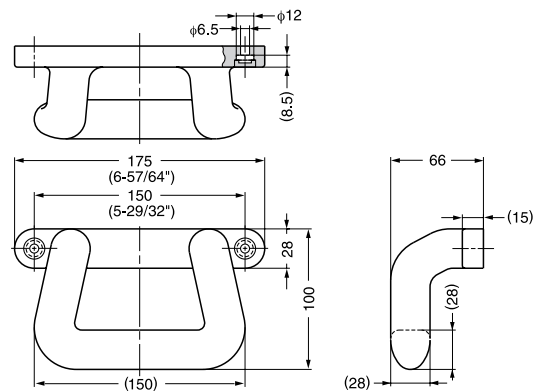
Moulded in polyurethane around steel core

Material: Polyurethane, Steel

Color: Black



Screws not included.



Item No.	Weight (g)	Box (pcs)
WB-901228	478	20

WB-900404, WB-900405 SERIES HANDLE

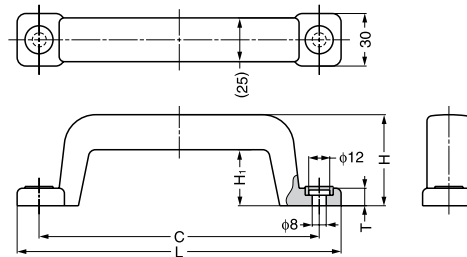
Moulded in polyurethane around steel core

Material: Polyurethane, Steel

Color: Black



Screws not included.



Item No.	L	C	H	H ₁	T	Weight (g)	Box (pcs)
WB-900404	185 (7-9/32")	160 (6-19/64")	52	32	(10)	152	100
WB-900405	275 (10-53/64")	250 (9-27/32")	57	39	(15)	252	100